

Piecing together a new South Campus

University plans renovations, upgrades and new buildings for athletics

Geographically separated a mile away from what many students consider San Jose State, South Campus is the home to most Spartan Athletics programs. Unbeknownst to many, it has undergone significant changes in the past three years.

After joining the Mountain West Conference in 2012, the university made a commitment to upgrade facilities to

meet Mountain West standards.

“To remain in the Mountain West, the school needs to upgrade facilities and yearly fundraising. Otherwise, it again could be left out of a party one day,” current SJSU lecturer Mark Purdy wrote in his Mercury News column in May 2012.

Charlie Faas, vice president for administration and finance, told the Spartan Daily that more than 40%

of South Campus has already been renovated.

“It’s stunning first class facilities for our student athletes,” he said.

Once all the proposed projects are complete, Faas said that every sport will be back on campus, except for track and field.

“It’s disappointing, but they’ll continue to have a home, it just won’t be on our campus,” he said.

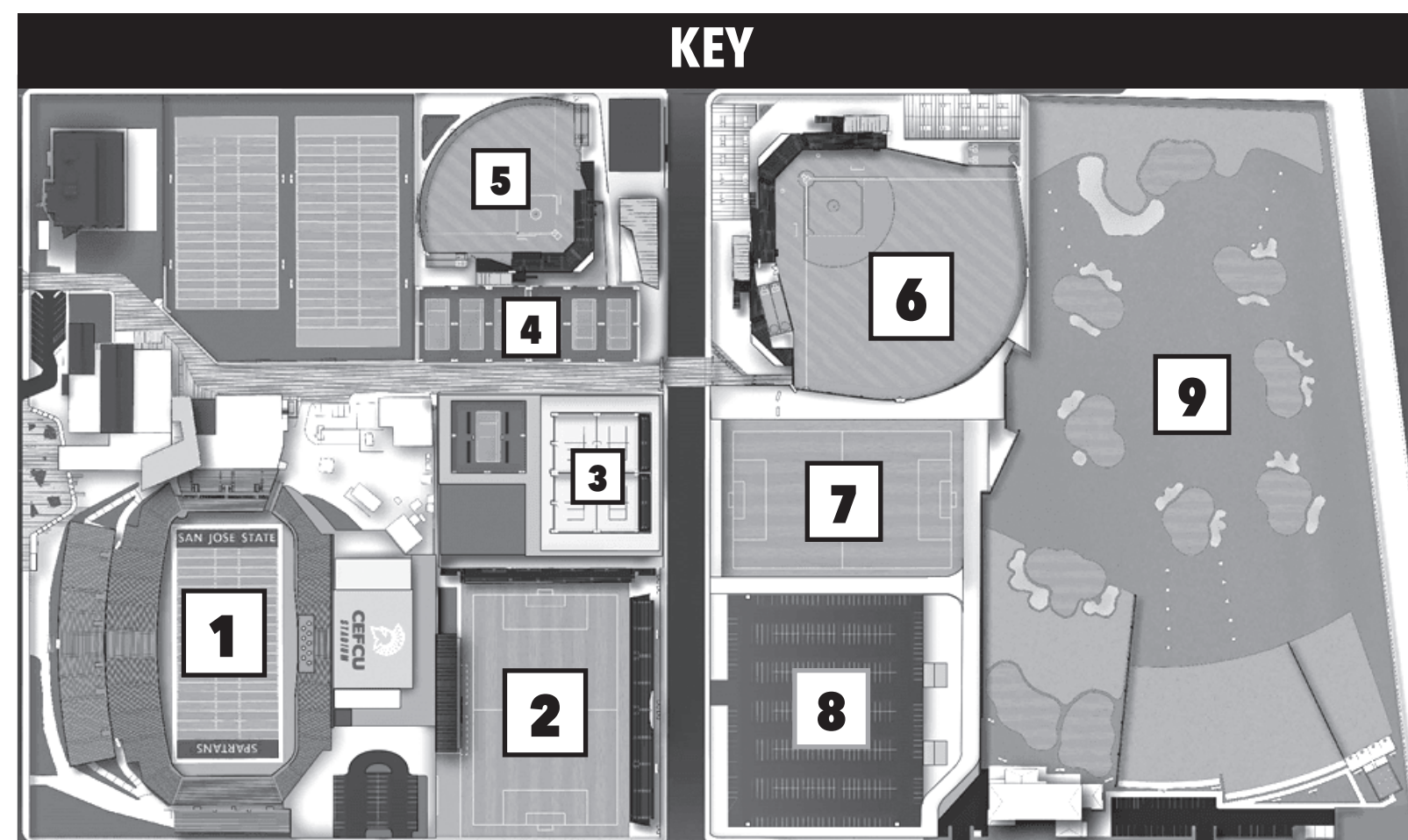
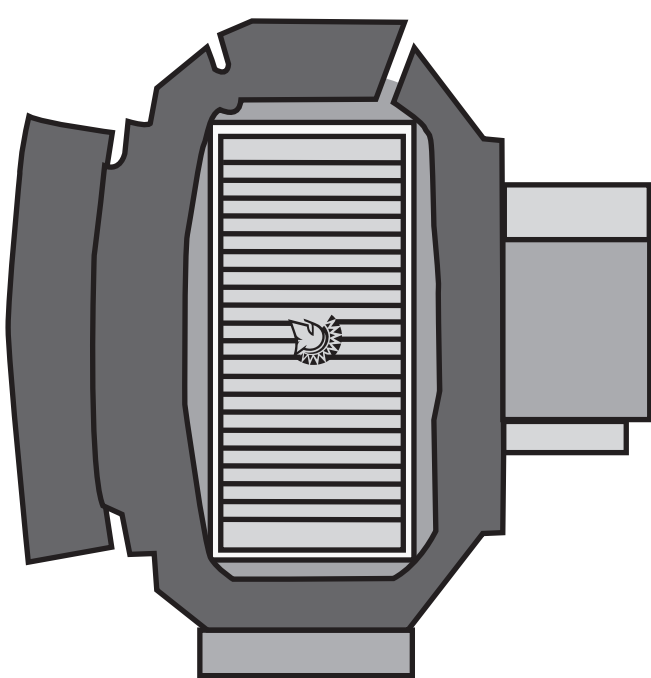


PHOTO COURTESY OF SAN JOSE STATE UNIVERSITY

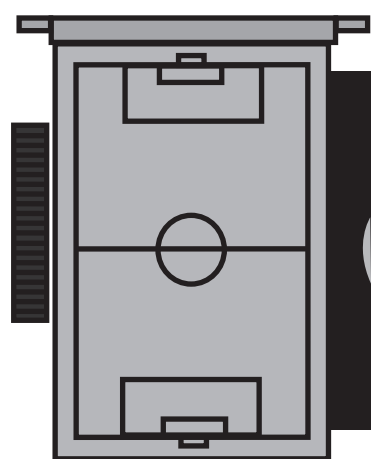
1 FOOTBALL OPERATIONS CENTER



Status: Breaks ground June 5
Cost: \$40 million, \$22 million raised so far
Serves: 92 athletes

A new football operations center had been planned for years, and was previously known as the North End Zone project. In addition to housing the football team, Faas said the top floor will have offices that are turned into suites during home football games. In the spring, when the team isn’t practicing, the building will double as a classroom.

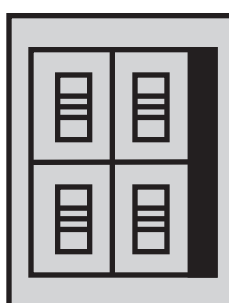
2 SPARTAN SOCCER COMPLEX



Status: Opened June 2016
Next phase: New scoreboard (needs funding)
Serves: 49 athletes

The soccer field hosted the 2018 Mountain West Women’s Soccer Championship Tournament and saw new lights installed in the past year.

3 BEACH VOLLEYBALL COURTS



Status: Under construction
Expected opening: End of April
Next phase: Scoreboard (in June)
Serves: 18 athletes

Currently under construction, the sand will be placed after the concrete is set, which has been delayed because of rain. The beach volleyball team is currently practicing and competing off campus.

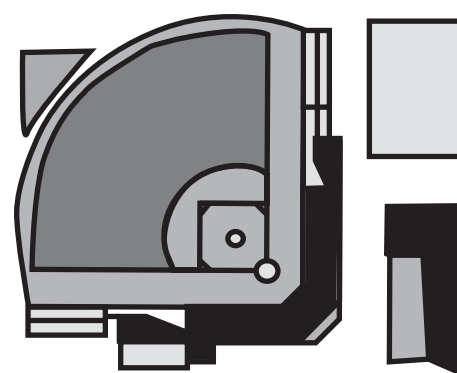
4 TENNIS COMPLEX



Status: Opened July 2018
Next phase: Shared locker room with softball (construction begins in August)
Serves: Eight athletes and other events

The complex hosted the 2018 Mubadala Silicon Valley Classic, headlined by Serena and Venus Williams. Construction of a viewing pavilion has been proposed, but still needs funding, Faas said.

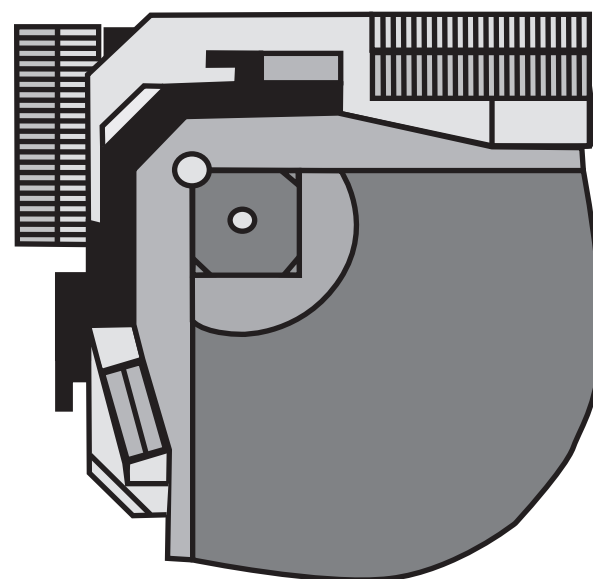
5 SOFTBALL FIELD AND STEPHENS FAMILY PITCHING & HITTING FACILITY



Status: Opened May 2018
Next phase: Shared locker rooms with tennis (construction begins in August)
Serves: 25 athletes

The softball team was displaced off campus when construction began on the new golf facility, but now has its own home. Faas said that there is a plan to build dugouts, but it lacks funding.

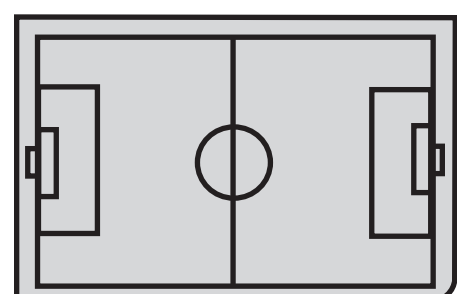
6 BASEBALL FIELD



Status: Needs funding
Serves: 37 athletes

The baseball team currently practices at Excite Ballpark, formerly known as Municipal Stadium, across the street from South Campus. While the university does want a baseball field in that location, Faas said there is currently no plan for the field, and no funds have been raised.

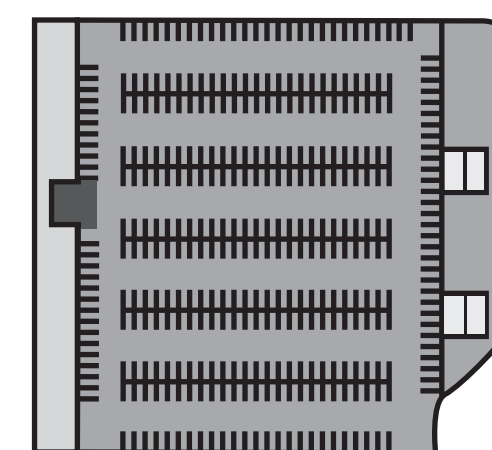
7 RECREATIONAL FIELD



Status: Breaks ground in June
Expected opening: September 2020
Serves: “Thousands” of students

The university said in a statement that the field would be home to “SJSU clubs, intramurals, ROTC practice, kinesiology classes, marching band practice, Greek life competition and other activities.”

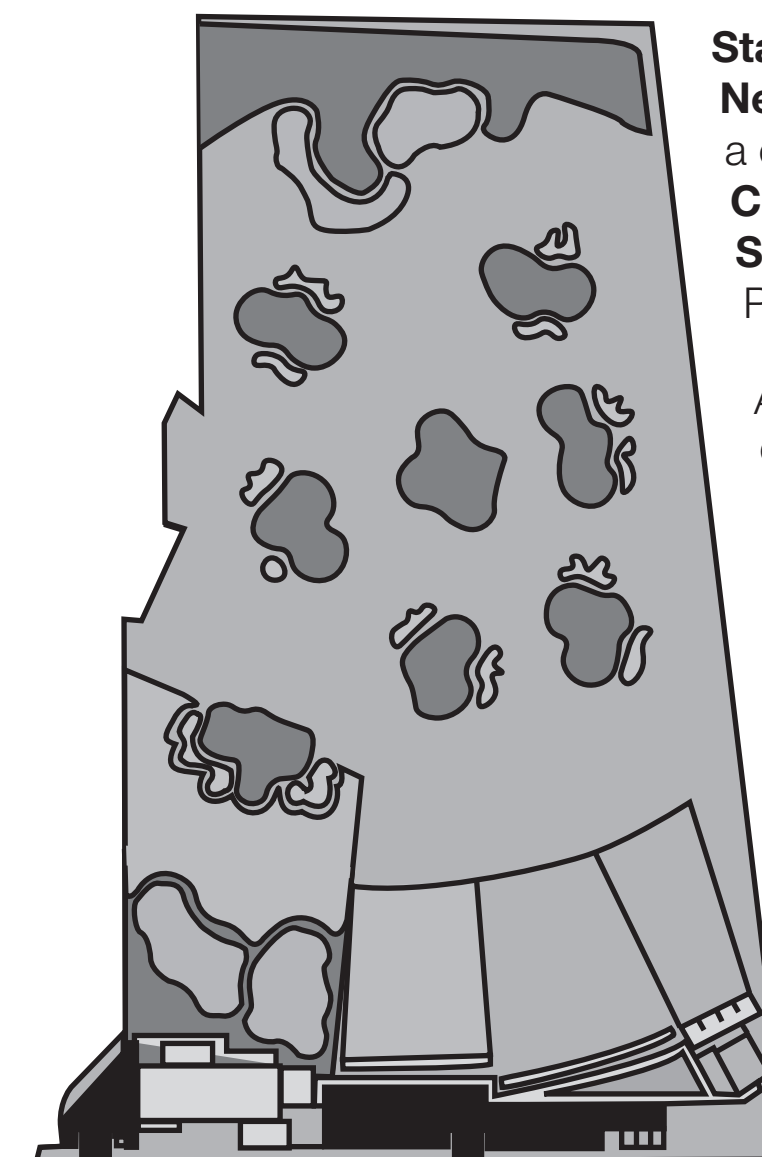
8 PARKING GARAGE



Status: Breaks ground in June
Expected opening: September 2020
Serves: 1,530 parking spaces
Cost: \$50 million

The parking garage is being built on top of the historic Bud Winter Field, where Olympians Tommie Smith and John Carlos practiced before their historic black power salute at the 1968 Mexico City Olympics. The university plans to build a tribute to the legacy of “Speed City” at the site, with specifics yet to be determined. The track and field team currently practices off campus at San Jose City College.

9 SPARTAN GOLF COMPLEX



Status: Opened in June 2017
Next phase: Building a clubhouse (needs funding)
Cost: \$10.2 million
Serves: 20 athletes, student PE golf classes and donors

Alumni Rich and Cindy Thawley donated the lead \$5 million for the project. Athletics Director Marie Tuite connected the facility’s creation with the success of SJSU’s golf teams. The women’s team is currently second in the Mountain West Championship after two rounds of golf.